

Item Nr.: D076-ZG
Item Description: Zigbee Rotary Cord Dimmer

⚠️ ⚠️ DANGER

HAZARD OF ELECTRIC SHOCK, EXPLOSION OR ARC FLASH

- Turn off all power supplying this equipment
- Use a voltage tester of appropriate rating.

Failure to follow these instructions will result in death or serious injury.

⚠️ WARNING

HAZARD OF FIRE

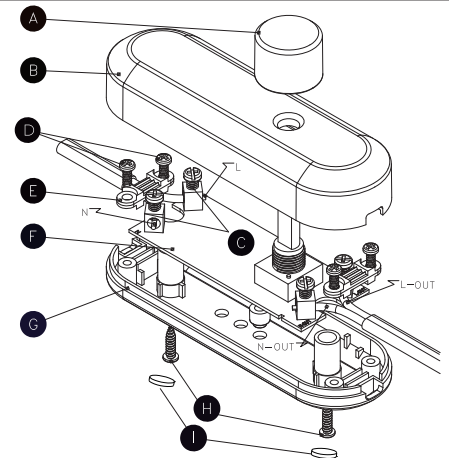
Failure to follow these instructions can result in death, serious injury, or equipment damage.

SPECS

Rated input voltage:	220-240Vac, 50Hz
Power range:	5-50W @ 220-240V LED 10-100W @ 220-240V INC, HAL
Type of load:	LED Retrofit I Incandescent-halogen
Dimming:	Manual Control / APP Control / Voice Control
Ambient temperature (Ta):	-10 C ~ +40 C
Dimension:	97.43*31.1*41.8mm
Protection:	Over-temperature, Overload, Over-Current
Item weight:	47.2g

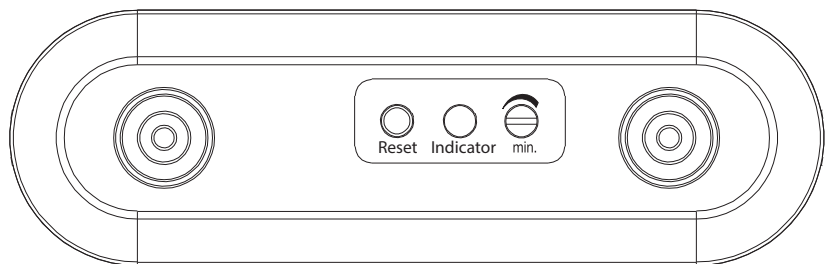
WIRING

1. Unscrew the closing screws **H**
2. Take out the front cover **B** and the knob **A**
3. Strip the cable to be connected
4. Connect supply cable to the terminal L and N of the electronic board
5. Connect lamp cable to the terminal identified by symbol of the electronic board.
6. Mount cord anchorage **C**
7. Take the cable locker **E** and screws **C** from the accessory bag to fix the cable
8. Mount front **B** and back **G**, screwing the screws **H**
9. Stick the rubber sticker **I**



OPERATION

1. On/off and dimming
Quick press knob for on/off and rotary to dim
2. MIN. Setting
Clockwise to increase the brightness
anti-clockwise to decrease the brightness
3. Indicator: to indicate the setting process
4. Reset: Configuration button



COMPATIBLE HUB

- Homey
- Philips Hue
- Google Home
- Amazon Alexa

SUPPORT ZIGBEE CLUSTER

1) Input Cluster

- 0x0000: Basic
- 0x0003: Identify
- 0x0004: Groups
- 0x0005: Scenes
- 0x0006
- 0x0008
- 0x0b05

2) Output Cluster

- 0x0019: OTA

SETTING

1. Reset

Hold the reset button till the indicator stays in red.

Please Note: All configuration will be reset after the device is reset or removed from the network.

2. Include to the Zigbee Network

- Remove the device from a previous Zigbee network. If it has already been added to one, otherwise pairing will fail.
- Enter your Zigbee hub's app, choose to add lighting and enter the pairing mode.
- Press reset button twice. The indicator starts blinking blue and stay solid for 10s when Succeeds.

3. TouchLink

Step 1. If the device is on a ZigBee network, remove the device before enabling TouchLink.

Step 2. Press the reset button for 4 times.

Step 3. The indicator starts blinking green and stays solid for 10s when pairing is succeeds. Time out 15mins.

Step 4. Bring the remote within 10cm of the smart dimmer and set the remote into TouchLink commissioning.

step 5. The connected light will blink 10 times when TouchLink succeeds.

Note:

- When both devices (Dimmer and remote) are not included in the Zigbee Network, each dimmer can link with one remote max.
- When both devices are included in the same Zigbee network, each dimmer can link with max 30 remotes.
- For Philips Hue Hubs and Amazon Echo Plus, add the remote and device to network first then touchlink

4. Find and Bind

Step 1. Make sure the device and remote are added to the same Zigbee network.

Step 2. Press the reset button for 5 times.

Step 3. The indicator starts blinking yellow and will stay solid for 10s.

Step 4. Set the remote into find and bind mode and enable it to find and bind commissioning. Please refer to the manual for instructions.